

VALV-TROL 3-WAY/2-POSITION, 500 PSI VALVE

3/4" Model D-3904



35 PSI air
recommended on
diaphragm

The **Valv-Trol Semi-Balanced 3-Way Valve** is a simple, rugged diaphragm operated valve that can be used on power hydraulic systems. Typical applications include control of lift tables, press pushbacks, or other low pressure fluid devices up to 500 PSI.

These valves have corrosion resistant bronze bodies and replaceable trim of hardened stainless steel for a long service life.

The standard packing is well suited for use with raw water, 95/5, oil, or many other liquids up to 200° F. Alternate packings are available for steam or other higher temperature services.

They can be piped with any port to supply. They can also be selectively plugged to give 2-way N.O. or N.C. operation.

Cv RATING	
A to B	B to C
7.1	11.6

The Valv-Trol Advantage

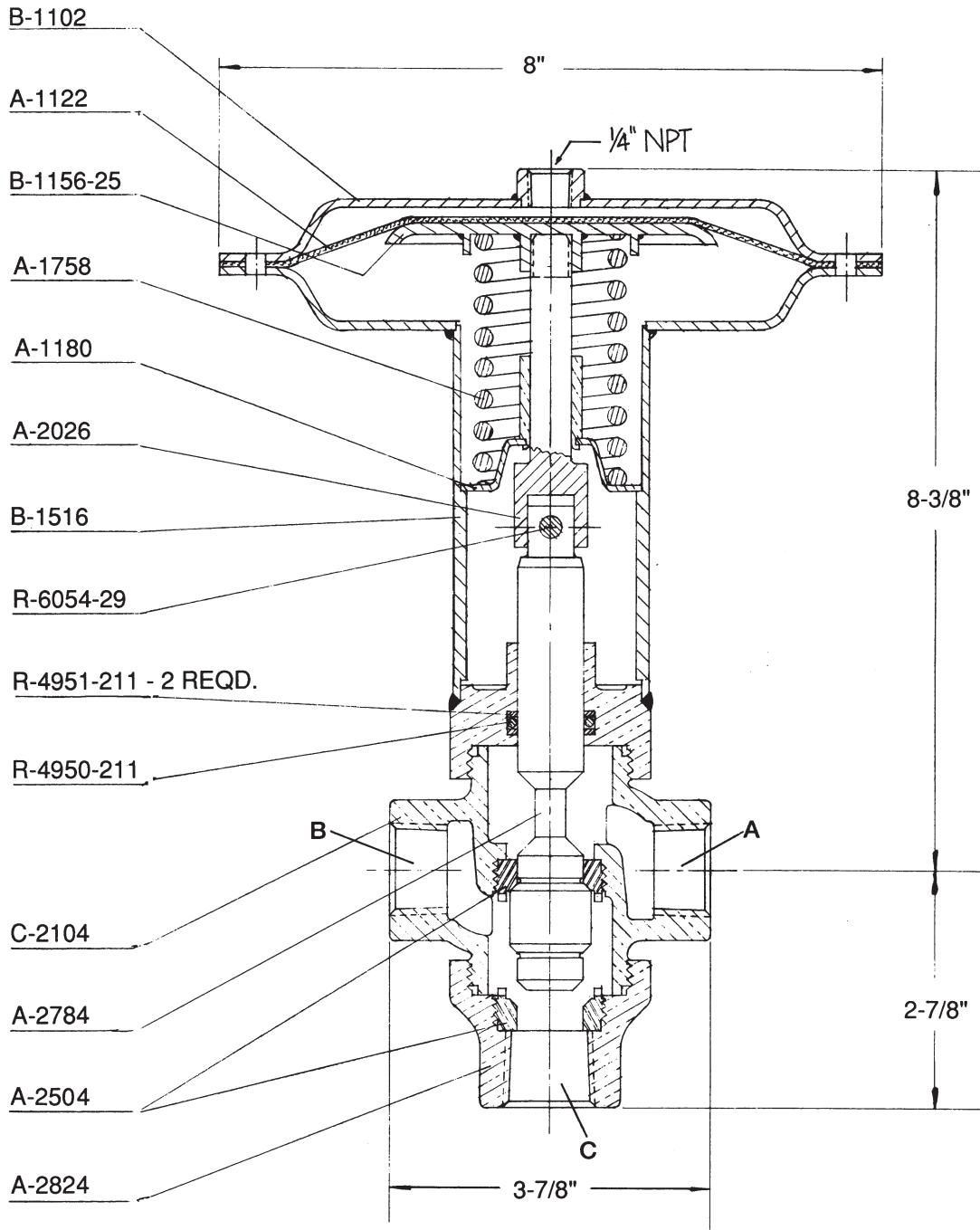
Many parts of Valv-Trol Valves are interchangeable between the same size 2-way and 3-way valves. This helps you to reduce your spare parts inventory and allows us to maintain a more complete inventory for emergency availability and shorter lead times.

Our valves are all subjected to 100% pressure testing to ensure a drop tight seal before we ship to our customers.

THE VALV-TROL COMPANY • 1340 COMMERCE DRIVE • STOW, OHIO 44224
Phone: 800-497-2136 • Fax: (330) 686-2820 • E-mail: sales@valv-trol.com • www.valv-trol.com

3-WAY/2-POSITION VALVE

MODEL D-3904 3/4" 500 PSI



THE VALV-TROL CO., STOW, OHIO